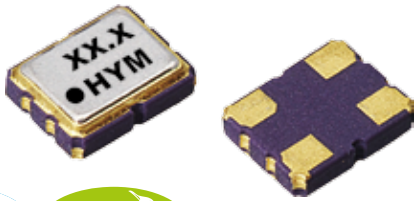




HSO321S Series-3.2mm x 2.5mm CRYSTAL OSCILLATOR, SPXO



Features:

- Mainstream miniature oscillator package.
- Tri-state function.
- Low current consumption.
- Small supply voltage shift.
- Optimal solution for home security devices, power saving application, and low frequency specification circuit design looking for a smaller package.

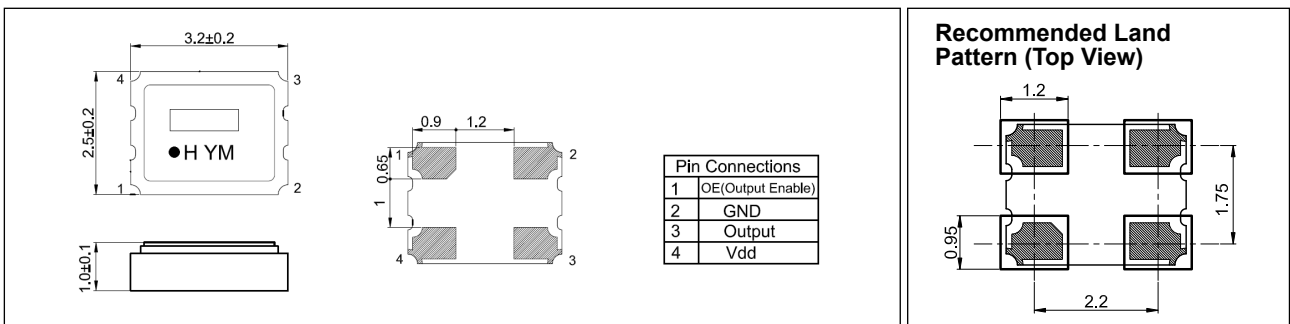
STANDARD SPECIFICATION:

| ITEMS | | PARAMETER | | | |
|-------------------------------------|------------------|-----------------------------------|---------------|---------------|---------------|
| Frequency Range | | 1MHz ~ 160MHz | | | |
| Frequency Stability | | ±25ppm, ±50ppm, ±100ppm | | | |
| Option on pin 1 | | pin 1 Have Control | | | |
| POWER voltage | | +1.8 V (±10%) | +2.5 V (±10%) | +2.8 V (±10%) | +3.3 V (±10%) |
| Storage Temp. | | -55°C ~ +125°C | | | |
| Output Character | "0" Level | 10%VDD max | | | |
| | "1" Level | 90%VDD min | | | |
| | Rise Time (Tr) | 10% ~ 90%VDD 10ns max | | | |
| | Fall Time (Tf) | 90% ~ 10%VDD 10ns max | | | |
| | Symmetry | 60/40 to 40/60 at 50%VDD | | | |
| Output Load | | 15pF Max. | | | |
| Current Consumption | I _{cc} | 15 mA max . | | | |
| Stand-by Current (#1 pin "L" Level) | I _{std} | 10uA max . | | | |
| Start-up time | | 3ms max | | | |
| Phasae Jitter | | 1ps max(F offset : 12KHz ~ 20MHz) | | | |

Packing Unit : 3,000pcs/Reel.

DIMENSION

Unit: mm



Test Circuit and Output Waveform:

