



# VOLTAGE CONTROLLED CRYSTAL OSCILLATOR SCV-3225

## Applications

- Digital TV-tuner / Digital Video / DVD / DSC

## Features

- Small ceramic package / Dimensions (3.2×2.5×0.9)
- Wide pulling range
- Low current consumption

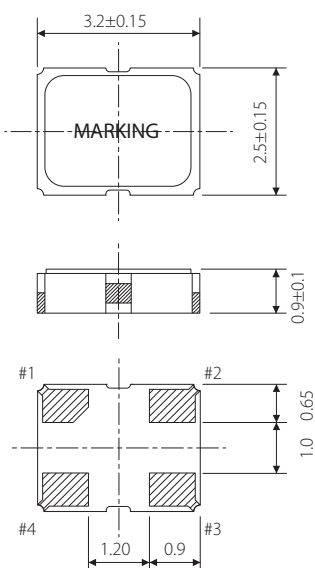
## Specifications



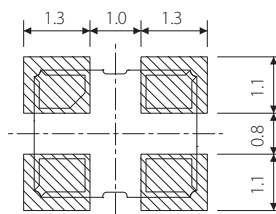
Model		SCV-3225		
Frequency range		1.5~54 MHz		
Nominal frequency		27.000, 54.000MHz		
Storage temperature range		-40~+85°C		
Operating temperature range		-20~+75°C		
Power supply voltage (Vdd)		$\pm 30 \times 10^{-6}$ , $\pm 50 \times 10^{-6}$		
Power supply voltage		+3.3V DC $\pm 10\%$	+2.8V DC $\pm 10\%$	+1.8V DC $\pm 10\%$
External control function External control voltage		$\pm 100 \times 10^{-6}$ min. / +1.65V $\pm 1.65$ V DC	$\pm 90 \times 10^{-6}$ min. / +1.4V $\pm 1.4$ V DC	$\pm 80 \times 10^{-6}$ min. / +0.9V $\pm 0.9$ V DC
Current consumption		13mA max.	9mA max.	3mA max.
Output	Load	CMOS (15pF)		
	Level	$V_{OL}$ :10%Vdd max. / $V_{OH}$ : 90%Vdd min.		
	Rise & Fall time	6ns max. / 0.1Vdd - 0.9Vdd		
	Duty cycle	40% ~60% at 1/2Vdd		
Phase noise		-130 dBc / Hz typ. (at 1kHz)		

Package quantity: 3,000pcs max./Reel.

## Outline and Dimensions [unit:mm]



Example of a Terminal Land Pattern



Terminal	Connection
#1	Vcont
#2	GND
#3	OUTPUT
#4	Vdd